

Glass Door Hinges

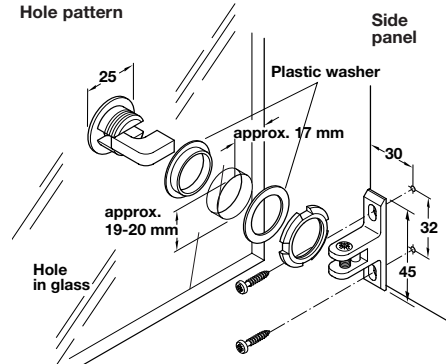
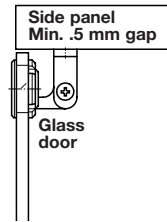
For Light-weight Glass Doors

Claronda Glass Door Hinge, screw-mounted

- Stylish **solid brass** hinges for inset doors
- Installation requires drilling a hole in glass
- Door and side panel components installed separately
- Door component detaches by removing mounting screw
- Reversible: can be used left or right
- For glass thicknesses 4.0 (3/16") to 6.0 (1/4") mm



To determine the exact tab distance for your application, please make a trial mounting with 1/4" wood material.



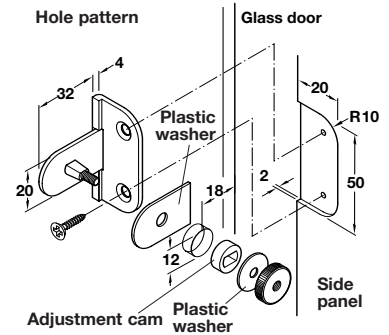
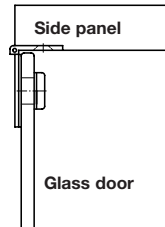
Material: solid brass

Color	Item No.
chrome-plated, polished	361.47.207

Packing: 10 pcs.

Glass Door Hinge, screw-mounted

- Exposed-knuckle hinges with 3 mm (1/8") horizontal adjustment for inset doors
- Installation requires drilling a hole in glass
- Thumbscrew secures glass
- Reversible: can be used left or right
- For glass thicknesses 6.0 (1/4") to 8.0 (5/16") mm
- For inset doors
- Max door weight: 4 kg. (8.8 lbs.)
- Max door size : Width: 350 mm (13 3/4")
Height: 800 mm (31 1/2")



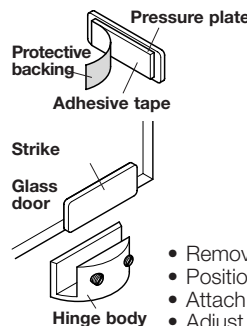
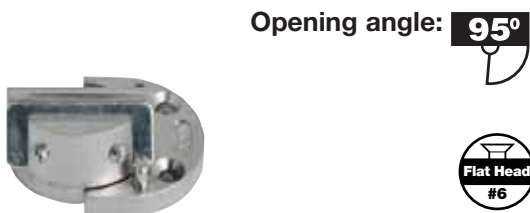
Material: brass

Color	Item No.
brass matt	361.85.501
nickel-plated, matt	361.85.609

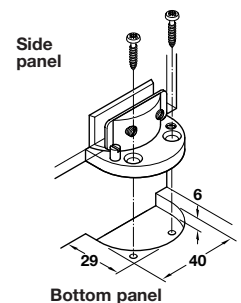
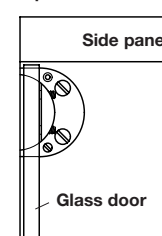
Packing: 20 pcs.

Glass Door Hinge, screw-mounted, for inset doors

- Reversible: can be used left or right
- For glass thicknesses 6.0 (1/4") to 8.0 (5/16") mm
- Max door weight: 4 kg. (8.8 lbs.)
- Max door size : Width: 350 mm (13 3/4")
Height: 800 mm (31 1/2")



Hole pattern



Material: zinc die-cast

Color	Item No.
nickel-plated matt	361.49.603
nickel-plated polished	361.49.701

Packing: 20 pcs.

- Remove protective backing from adhesive tape
- Position pressure plate on glass door
- Attach hinge body to base
- Adjust glass door
- Tighten mounting screws

Flat head screws	pages 450-452
Pan head screws	page 453

Dimensional data not binding. We reserve the right to alter specifications without notice.

Dimensions in mm
Inches are approximate